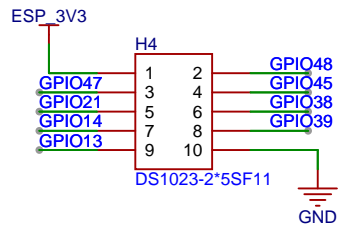
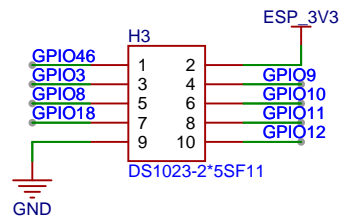
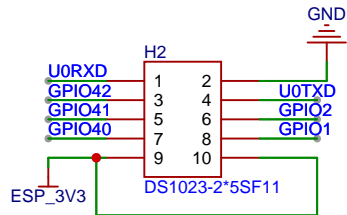
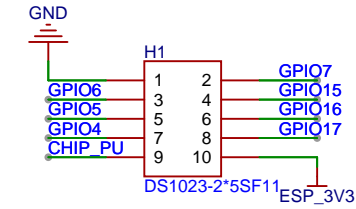
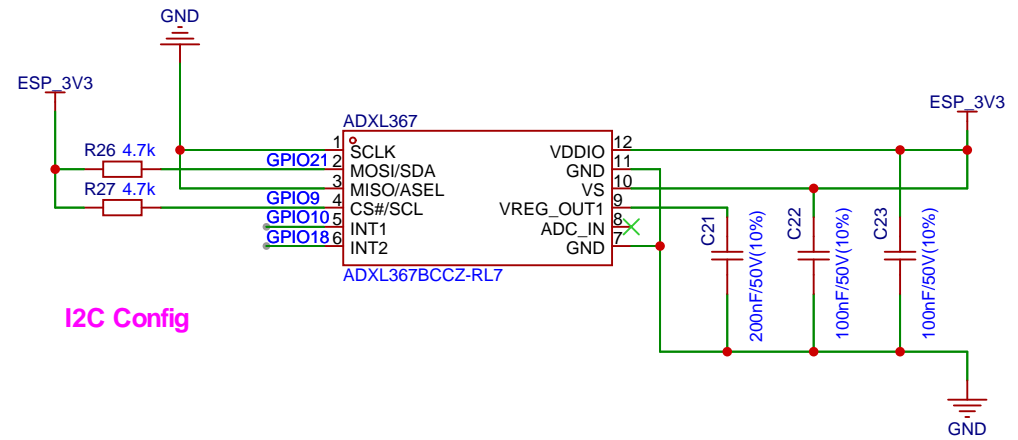


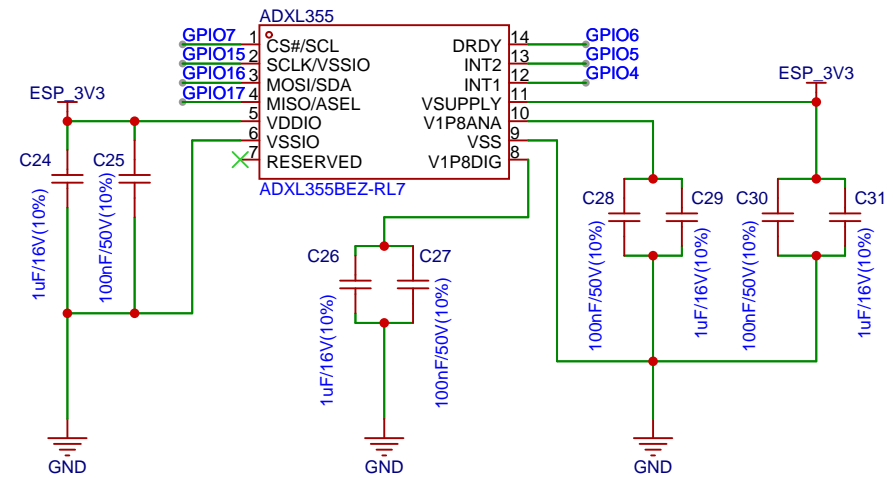
## SOCKET HEADERS



## ULTRA LOW POWER ACCELEROMETER ADXL367



## HIGH PERFORMANCE ACCELEROMETER ADXL355



|           |                 |      |                    |            |
|-----------|-----------------|------|--------------------|------------|
| Schematic | Extension Board |      | Create at          | 2026-03-23 |
| Board     | Extension Board |      | Update at          | 2026-03-27 |
| Drawn     |                 |      | Page               | P1         |
| Reviewed  |                 |      | AIoT-NTU-Prototype |            |
|           |                 |      |                    |            |
|           | Version         | Size | Page 1 Total 1     |            |
|           | V1.0            | A4   | EasyEDA.com        |            |