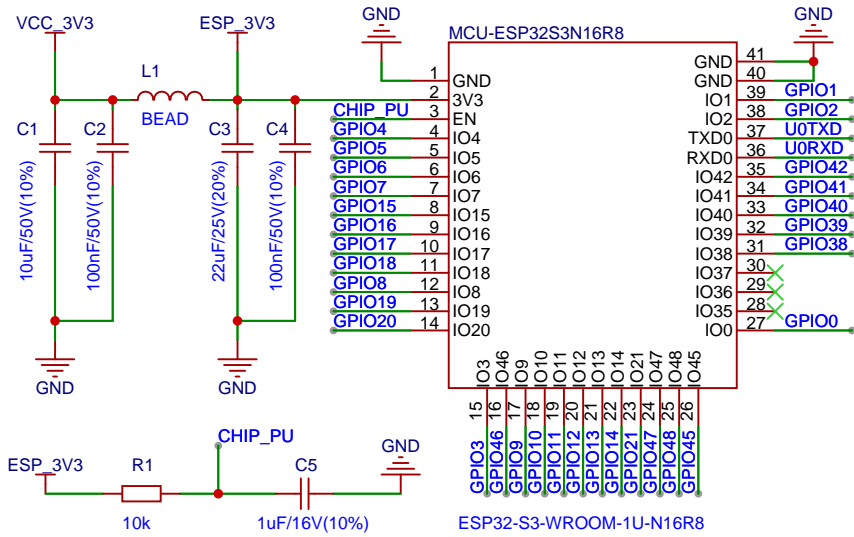
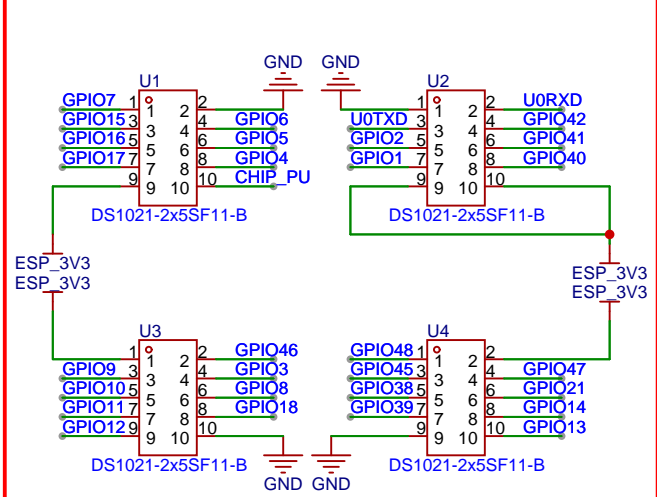


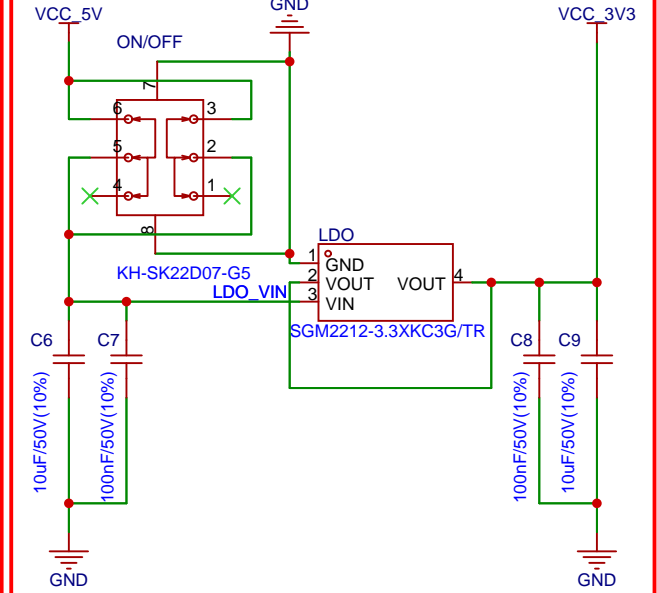
## MCU - ESP32-S3-WROOM-1U-R16N8



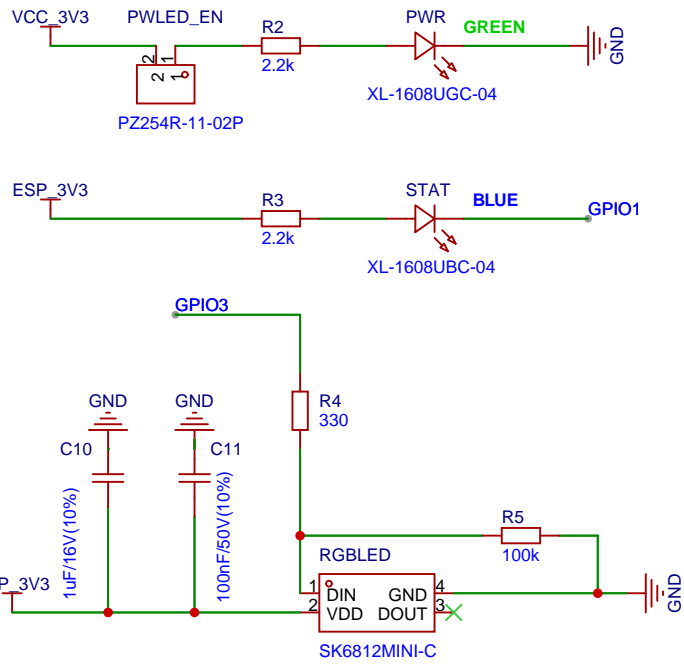
## PIN HEADERS



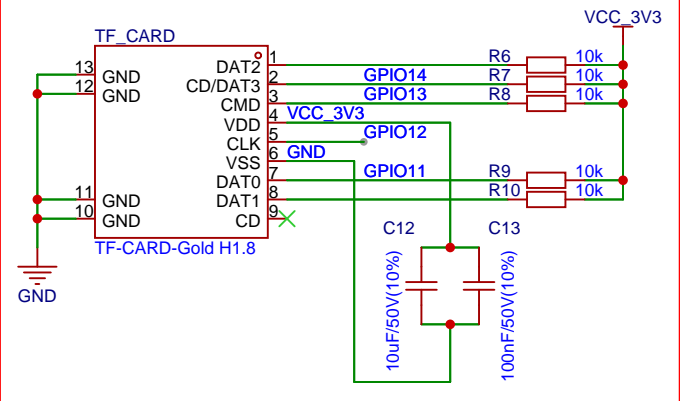
## LOW DROPOUT REGULATOR (LDO)



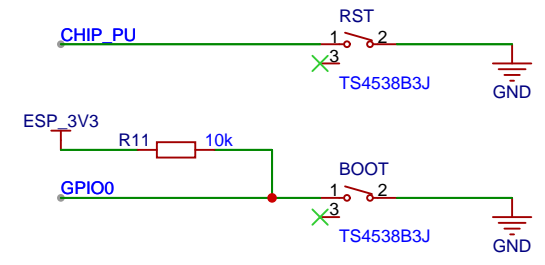
## LED



## TF CARD

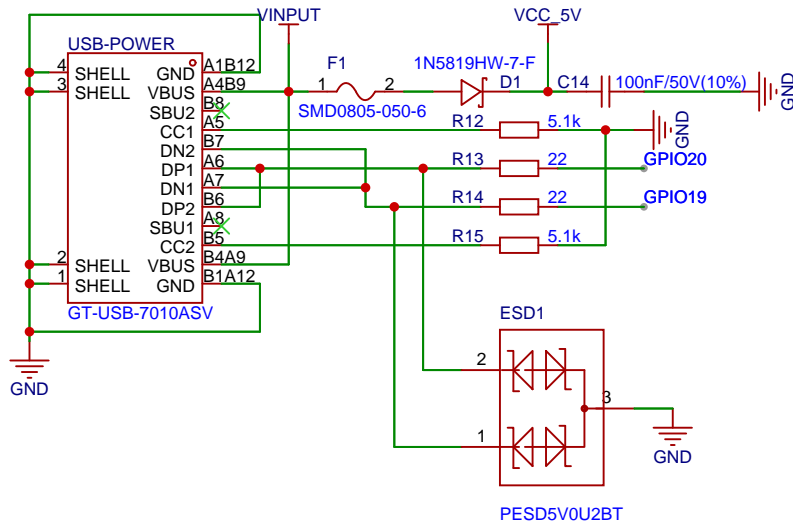


## KEYS

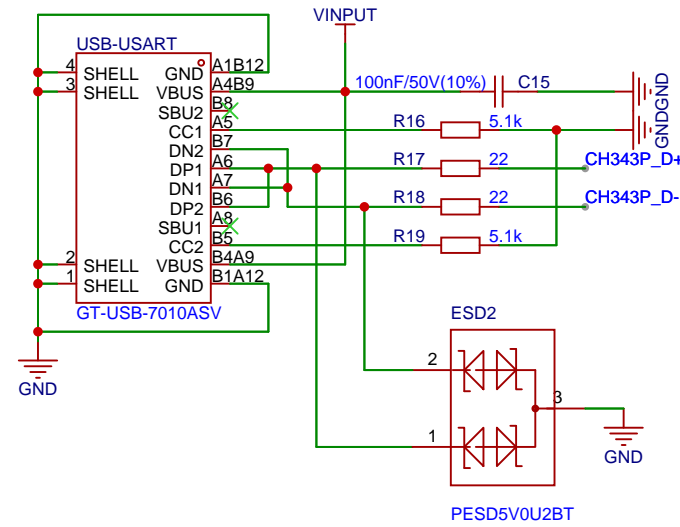


Schematic	Main Board		Create at	2026-03-23
Board	Main Board		Update at	2026-03-25
Drawn			Page	P1
Reviewed			AloT-NTU-Prototype	
			V1.0	A4
			Page 1 Total 2	
			EasyEDA.com	

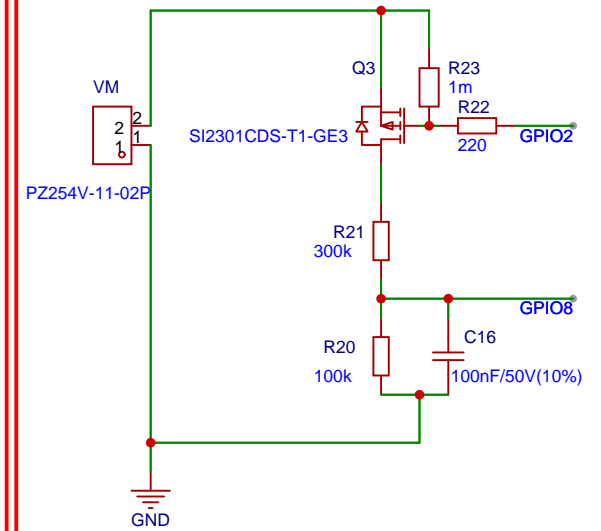
## USB - POWER



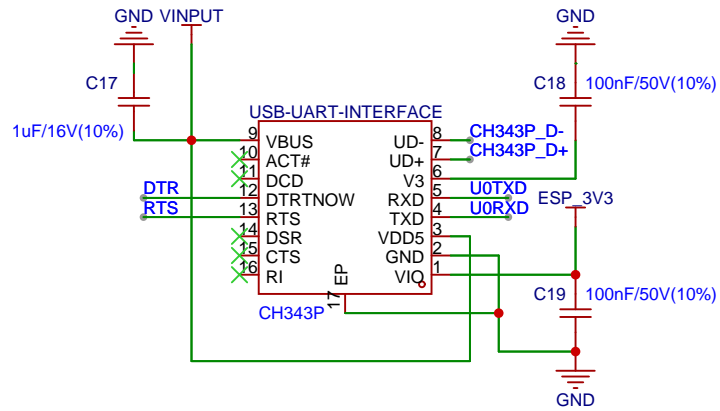
## USB - USART



## VOLTAGE MEASUREMENT

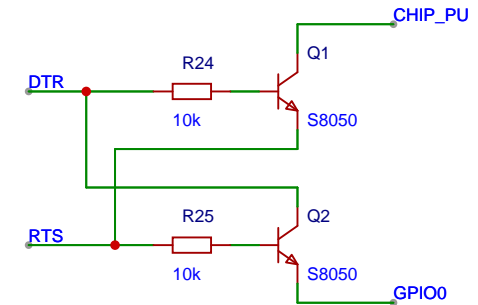


## USB-UART INTERFACE

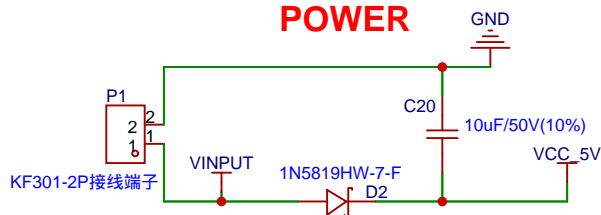


## AUTOMATIC PROGRAM

Auto Program				
DTR	RTS	->	CHIP_PU	GPIO0
1	1		1	1
0	0		1	1
1	0		0	1
0	1		1	0



## POWER



Schematic

Main Board

Create at

2026-03-23

Board

Main Board

Update at

2026-03-27

Drawn

Page

P2

Reviewed

AIoT-NTU-Prototype

Version

Size

Page 2 Total 2

EasyEDA

V1.0

A4

EasyEDA.com